



NEW CONTROLS FOR SVV90

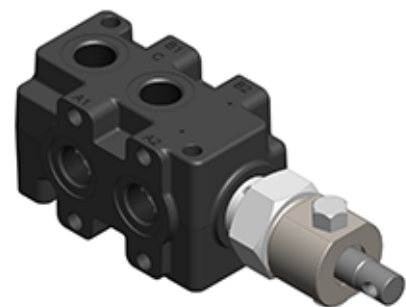
Three new modifications available for the 90 l/min 6/2 diverter - SVV90

- Manual control with hand lever (order code SVV-90-H-G, for BSP threads)
- Pneumatic control (order code SVV-90-P-G, for BSP threads)
- Manual control with hand lever, rotating motion (order code SVV-90-R-G, for BSP threads)

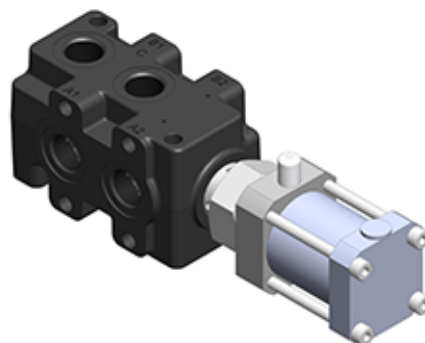
Technical specifications		
Flow rate	l/min [gpm]	90 [24]
Max. working pressure	bar [psi]	280 [4060]
Fluid temperature	° C [° F]	-25 to +80 [-13 to 176]
Viscosity range	mm ² /s [cSt]	10-400 [12-100]
Filtering	ISO 4406 β _x =75	20/17/25μm
Pneumatic working pressure	bar [psi]	5 to 10 [73 to 145]



SVV-90-H-G



SVV-90-R-G



SVV-90-P-G